

LIGHTWEIGHT | SELF-PROPELLED | PRECISE | FAST

HEAVY DUTY SOLID CARBIDE BLADE (FOR ALL SOIL TYPES)
INSTALLS WIRE FROM ALL ROBOT MANUFACTURERS (UP TO 6 MM DIAMETER)

REVOLUTIONARY DESIGN = HIGH PRODUCTIVITY AND PROFITABILITY!

- Can bury up to 600 meters of wire per hour
- Easy to carry with its small size and light weight
- Comfortable working position with ergonomic pivoting handle
- Its low-profile design and offset handle allow work along wide hedges, shrubs and under low branches
- Gets closer to edges with its off-centered cutting blade
- Turns sharp corners with its small turning radius
- Self-Propelled: considerably decreases operator effort

AVAILABLE ACCESSORIES :

- 1 **PWMA-0001** – The Perimeter Wire Drum allows to wind up bulk wire that comes with some robots.
- 2 **PWMA-0002** – The Perimeter Wire Box 18 cm X 18 cm is designed for coils emptying from the center (e.g.: Robomow & Viking - 100 m).
- 3 **PWMA-0003** – The Perimeter Wire Box 22.5 cm X 22.5 cm is designed for boxes emptying from the center (e.g.: AL-KO - 150 m).
- 4 **PWMA-0006** – The Perimeter Wire Meter measures meters of wire as you install.
- 5 **PWMA-0008** – The Heavy Duty Solid Carbide Blade is perfect for all soil types (one blade included with the machine).
- 6 **PWMA-0009** – The GS1000 Grease Bottle (2 oz) is the one to use in the blade transmission (one bottle included with the machine).



GET INTO THOSE CORNERS



THE #1 CHOICE OF PROFESSIONAL INSTALLERS!

2018 EDITION

THE MOST POPULAR
CABLE LAYER MACHINE
IN THE WORLD!



BY **PORTABLE WINCH™** **ORDER NOW!**
POWERED by **HONDA** CE

DISTRIBUTOR :

MADE IN CANADA

FIND THE LIST OF DISTRIBUTORS ON WWW.600MH.COM

600MH
**PERIMETER
WIRE MACHINE**

THE ANATOMY OF THE MACHINE



1. 4-STROKE HONDA GXH-50 CC ENGINE

- Reliable
- Rugged
- Equipped with an hour meter for easy maintenance planning

2. SELF-PROPELLED TRANSMISSION

- Integrated control in the handle
- Decreases operator effort
- Improves productivity

3. STEEL FRAME

- Solid
- High-resistance paint
- Easy maintenance

4. EDGE DISTANCE GUIDE

- Can be installed in the front or the back of the machine
- Adjustable from 15 cm to 45 cm
- Allows meeting all robot manufacturer's specifications

5. KICKSTAND

- Retractable
- Allows blade clearance on start-up

6. ADJUSTABLE MULTI-POSITION HANDLE

- Pivots 30 degrees to the right: makes it easy to install wire under hedges, shrubs and low branches
- Tilts 180 degrees front to back
- Facilitates operation in tight spaces
- Ergonomic
- Reduces vibration

7. WIRE REEL BRACKET

- Allows the use of most wire reel (up to 800 meters)
- Many possible configurations. Thanks to the centering hubs, plastic spacers and rubber damper.
- Fits Perimeter Wire Boxes 18 cm and 22.5 cm

8. WIRE GUIDE

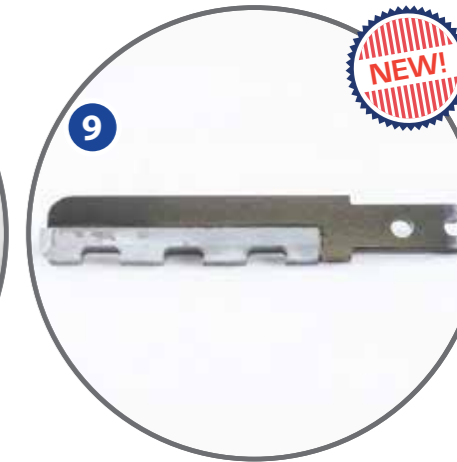
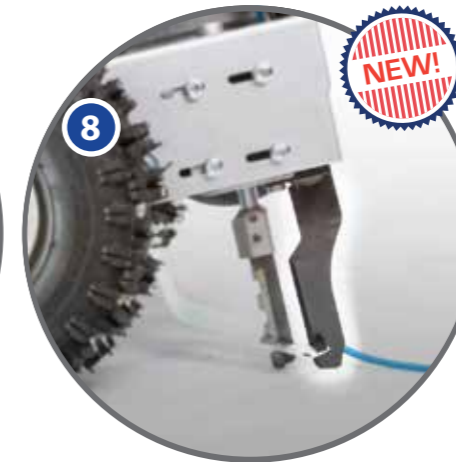
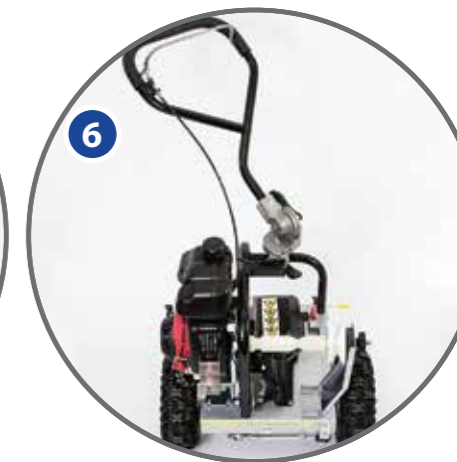
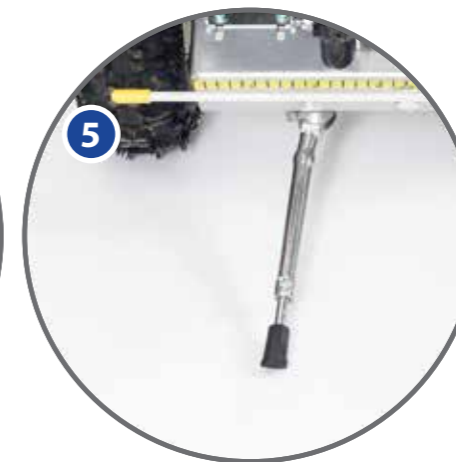
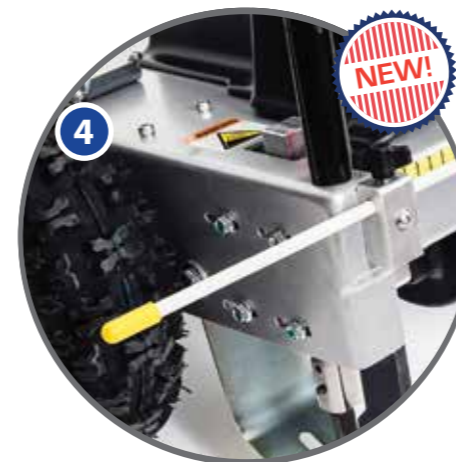
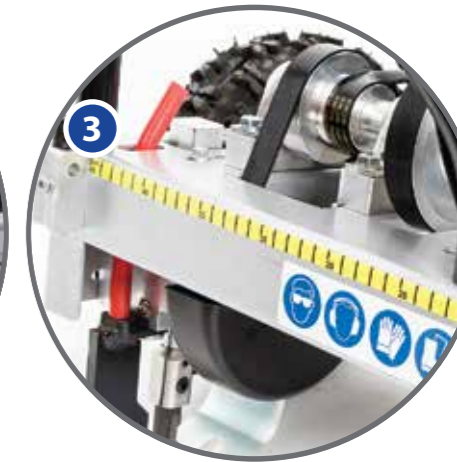
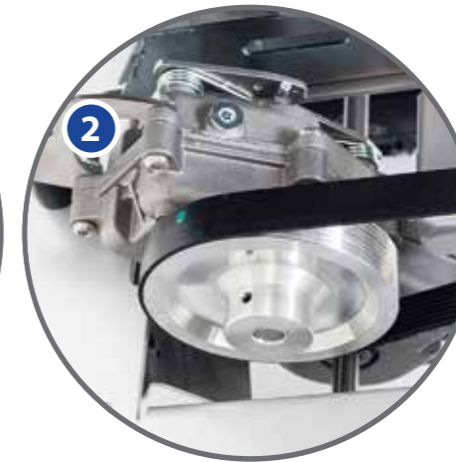
- Fits all wire sizes up to 6 mm diameter
- Optimal shape for wire flow
- Sturdy
- Easy to reach

9. HEAVY DUTY SOLID CARBIDE BLADE

- For all soil types
- Offset 15 cm from the outside of the wheel
- Long-lasting

10. SLIDING FOOT

- Prevents grass damage
- Reduces accumulation of debris around the blade and its axis
- Facilitates insertion of the blade into the ground



TECHNICAL DATA:

Engine : HONDA GXH-50 2.1 HP - 4-stroke

Speed : 15 m/min

Wire Depth : 4 to 6 cm

Weight : 36 kg

Dimensions : 56 cm x 46 cm x 125 cm

Warranty : One (1) year limited (Engine: Honda International Warranty)